



NuTiny-SDK-NUC029FAE User Manual

for NuMicro™ NUC029FAE Series

The information described in this document is the exclusive intellectual property of Nuvoton Technology Corporation and shall not be reproduced without permission from Nuvoton.

Nuvoton is providing this document only for reference purposes of NuMicro™ microcontroller based system design. Nuvoton assumes no responsibility for errors or omissions.

All data and specifications are subject to change without notice.

For additional information or questions, please contact: Nuvoton Technology Corporation.



Table of Contents

1	Overview	3
2	Introduction to NuTiny-SDK-NUC029FAE	3
2.1	NuTiny-SDK-NUC029FAE Jumper Description	4
2.2	Pin Assignment for Extended Connectors	5
2.3	NuTiny-SDK-NUC029FAE PCB Placement.....	6
3	Starting to Use NuTiny-SDK-NUC029FAE on the Keil μ Vision [®] IDE	7
3.1	Downloading and Installing Keil μ Vision [®] IDE Software	7
3.2	Downloading and Installing Nuvoton Nu-Link Driver	7
3.3	Hardware Setup.....	7
3.4	Example Program.....	8
4	Starting to Use NuTiny-SDK-NUC029FAE on the IAR Embedded Workbench	9
4.1	Downloading and Installing IAR Embedded Workbench Software.....	9
4.2	Downloading and Installing Nuvoton Nu-Link Driver	9
4.3	Hardware Setup.....	9
4.4	Example Program.....	10
5	NuTiny-SDK-NUC029FAE Schematics	11
5.1	NuTiny-EVB-NUC029FAE Schematic	11
5.2	Nu-Link-Me Schematic.....	12
6	Downloading NuMicro [™] Related Files from Nuvoton Website	13
6.1	Downloading NuMicro [™] Keil μ Vision [®] IDE Driver	13
6.2	Downloading NuMicro [™] IAR EWARM Driver	16
6.3	Downloading NuMicro [™] NUC029FAE Series BSP Software Library.....	19
7	Revision History	21



1 Overview

The NuTiny-SDK-NUC029FAE is a specific development tool for NuMicro™ NUC029FAE series-NUC029FAE by which users can develop and verify the application program easily. The NuTiny-SDK-NUC029FAE includes two portions: NuTiny-EVB-NUC029FAE (an evaluation board) and Nu-Link-Me (Debug Adaptor). With the NuTiny-SDK-NUC029FAE, users do not need additional ICE or debug equipment.

2 Introduction to NuTiny-SDK-NUC029FAE

The following figure shows the NuTiny-SDK-NUC029FAE for NUC029xAE series, in which the left portion is called NuTiny-EVB-NUC029FAE and the right portion is Debug Adaptor called Nu-Link-Me.

The NuTiny-EVB-NUC029FAE is similar to other development board. Users can use it to develop and verify applications to emulate the real behavior. In fact, the real chip NUC029FAE is mounted on the board. The NuTiny-EVB-NUC029FAE can be a real system controller to design user target system.

The Nu-Link-Me is a Debug Adaptor which connects the USB port of your PC to your target system (via Serial Wired Debug Port) and allows you to program and debug embedded programs on the target hardware. To use the Nu-Link-Me Debug adaptor with Keil or IAR, please refer to “Nuvoton NuMicro™ IAR ICE Driver User Manual” or Nuvoton NuMicro™ Keil ICE Driver User Manual” for details.

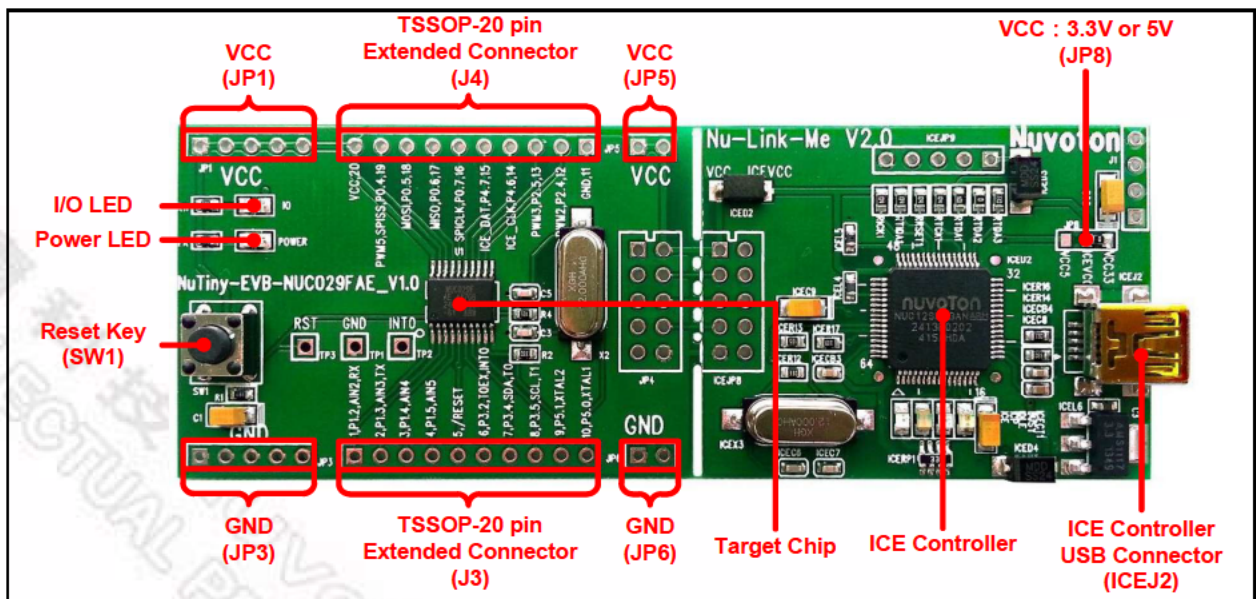


Figure 2-1 NuTiny-SDK-NUC029FAE (Green PCB Board)

2.1 NuTiny-SDK-NUC029FAE Jumper Description

2.1.1 Power Settings

- **JP1 and JP5:** VCC Voltage connector in NuTiny-EVB-NUC029FAE
- **ICEJ2:** USB port in Nu-Link-Me

Model	JP8	ICEJ2 USB port	JP1 and JP5 VCC	MCU Voltage
Model 1	Select VCC33 (default)	Connect to PC	DC 3.3V output	DC 3.3V
Model 2	X	X	DC 2.5 V ~ 5.5 V Input	Voltage by JP1 and JP5 input

X: Unused.

2.1.2 Debug Connectors

- **JP4:** Connector in target board (NuTiny-EVB-NUC029FAE) for connecting with Nuvoton ICE adaptor (Nu-Link-Me)
- **ICEJP8:** Connector in ICE adaptor (Nu-Link-Me) for connecting with a target board (e.g. NuTiny-EVB-NUC029FAE)

2.1.3 USB Connectors

- **ICEJ2:** Mini USB Connector in Nu-Link-Me connected to a PC USB port

2.1.4 Extended Connectors

- **J3 and J4:** Show all chip pins in NuTiny-EVB-NUC029FAE

2.1.5 Buttons

- **SW1:** Reset button in NuTiny-EVB-NUC029FAE

2.1.6 Power Connectors

- **JP1 and JP5:** VCC connector in NuTiny-EVB-NUC029FAE
- **JP3 and JP6:** GND connector in NuTiny-EVB-NUC029FAE



2.2 Pin Assignment for Extended Connectors

The NuTiny-EVB-NUC029FAE provides the NUC029FAE target chip on board and the extended connectors (**J3** and **J4**) for TSSOP20-pin. The following table is the pin assignment for NUC029FAE.

Pin No	Pin Name	Pin No	Pin Name
01	P1.2,RXD,AIN2,ACMP0_P	11	VSS
02	P1.3,TXD,AIN3,ACMP0_P	12	P2.4,PWM2
03	P1.4,AIN4,ACMP0_N	13	P2.5,PWM3
04	P1.5,AIN5,ACMP0_P	14	P4.6,ICE_CLK
05	nRST	15	P4.7,ICE_DAT
06	P3.2,nINT0,STADC,T0EX,ACMP1_P	16	P0.7,SPICLK0
07	P3.4,T0,SDA0,ACMP1_P	17	P0.6,MISO_0
08	P3.5,T1,SCL0,ACMP1_P	18	P0.5,MOSI_0
09	P5.1,XTAL2	19	P0.4,SPISS0,PWM5
10	P5.0,XTAL1	20	VDD

Table 2-1 Pin Assignment for NUC029FAE



2.3 NuTiny-SDK-NUC029FAE PCB Placement

The following figure shows the NuTiny-SDK-NUC029FAE PCB placement.

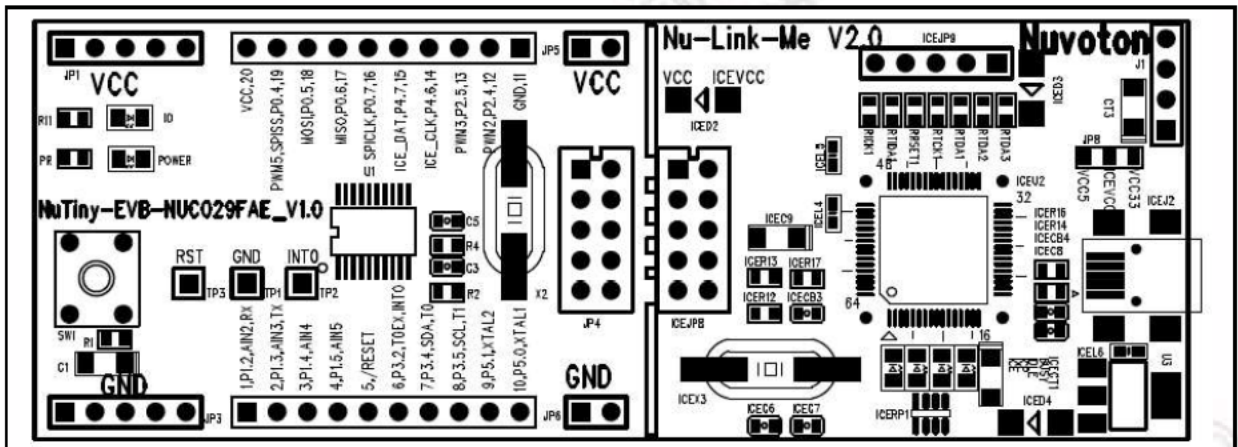


Figure 2-2 NuTiny-SDK-NUC029FAE PCB Placement

3 Starting to Use NuTiny-SDK-NUC029FAE on the Keil μ Vision[®] IDE

3.1 Downloading and Installing Keil μ Vision[®] IDE Software

Please connect to the Keil company website (<http://www.keil.com>) to download the Keil μ Vision[®] IDE and install the RVMDK.

3.2 Downloading and Installing Nuvoton Nu-Link Driver

Please connect to Nuvoton NuMicro[™] website (<http://www.nuvoton.com/NuMicro>) to download the “NuMicro[™] Keil μ Vision[®] IDE driver” file. Please refer to *section 6.1* for the detailed download flow. After the Nu-Link driver is downloaded, please unzip the file and execute the “Nu-Link_Keil_Driver.exe” to install the driver.

3.3 Hardware Setup

The hardware setup is shown in the following figure.



Figure 3-1 NuTiny-SDK-NUC029FAE Hardware Setup

3.4 Example Program

This example demonstrates how to download and debug an application on a NuTiny-SDK-NUC029FAE board.

The example file can be found in the directory list shown in the following figure.

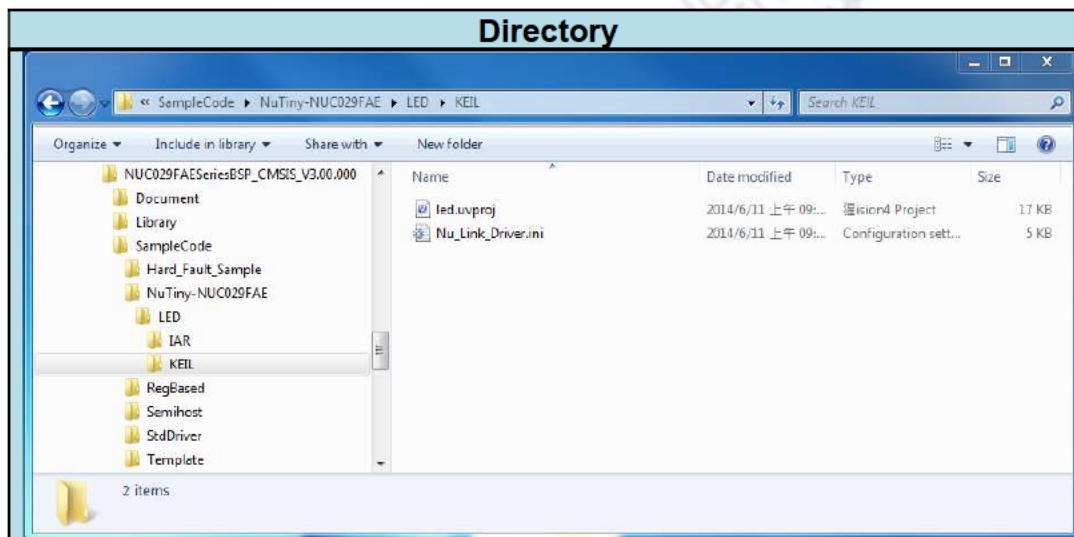


Figure 3-2 Example Directory

To use this example:

The I/O LED on the NuTiny-EVB-NUC029FAE board will be toggled on.

- **Start µVision®**
- **Project – Open**
Open the led.uvproj project file
- **Project – Build**
Compile and link the LED application
- **Flash – Download**
Program the application code into on-chip Flash ROM
- **Start Debug mode**
When using the debugger commands, you may:
 - ◆ Review variables in the watch window
 - ◆ Single step through code
 - ◆ Reset the device
 - ◆ Run the application

4 Starting to Use NuTiny-SDK-NUC029FAE on the IAR Embedded Workbench

4.1 Downloading and Installing IAR Embedded Workbench Software

Please connect to IAR company website (<http://www.iar.com>) to download the IAR Embedded Workbench and install the EWARM.

4.2 Downloading and Installing Nuvoton Nu-Link Driver

Please connect to Nuvoton Company NuMicro™ website (<http://www.nuvoton.com/NuMicro>) to download “NuMicro™ IAR EWARM Driver” file. Please refer to *section 6.2* for the detail download flow. After the Nu-Link driver is downloaded, please unzip the file and execute the “Nu-Link_IAR_Driver.exe” to install the driver.

4.3 Hardware Setup

The hardware setup is shown in the following figure.



Figure 4-1 NuTiny-SDK-NUC029FAE Hardware Setup

4.4 Example Program

This example demonstrates how to download and debug an application on a NuTiny-SDK-NUC029FAE board.

The example file can be found in the directory list shown in the following figure.

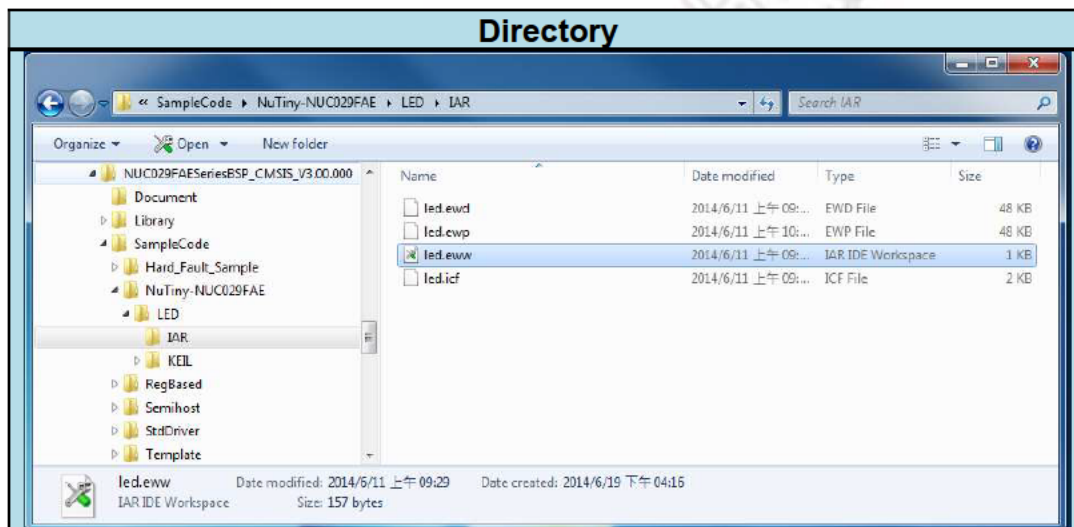


Figure 4-2 Example Directory

To use this example:

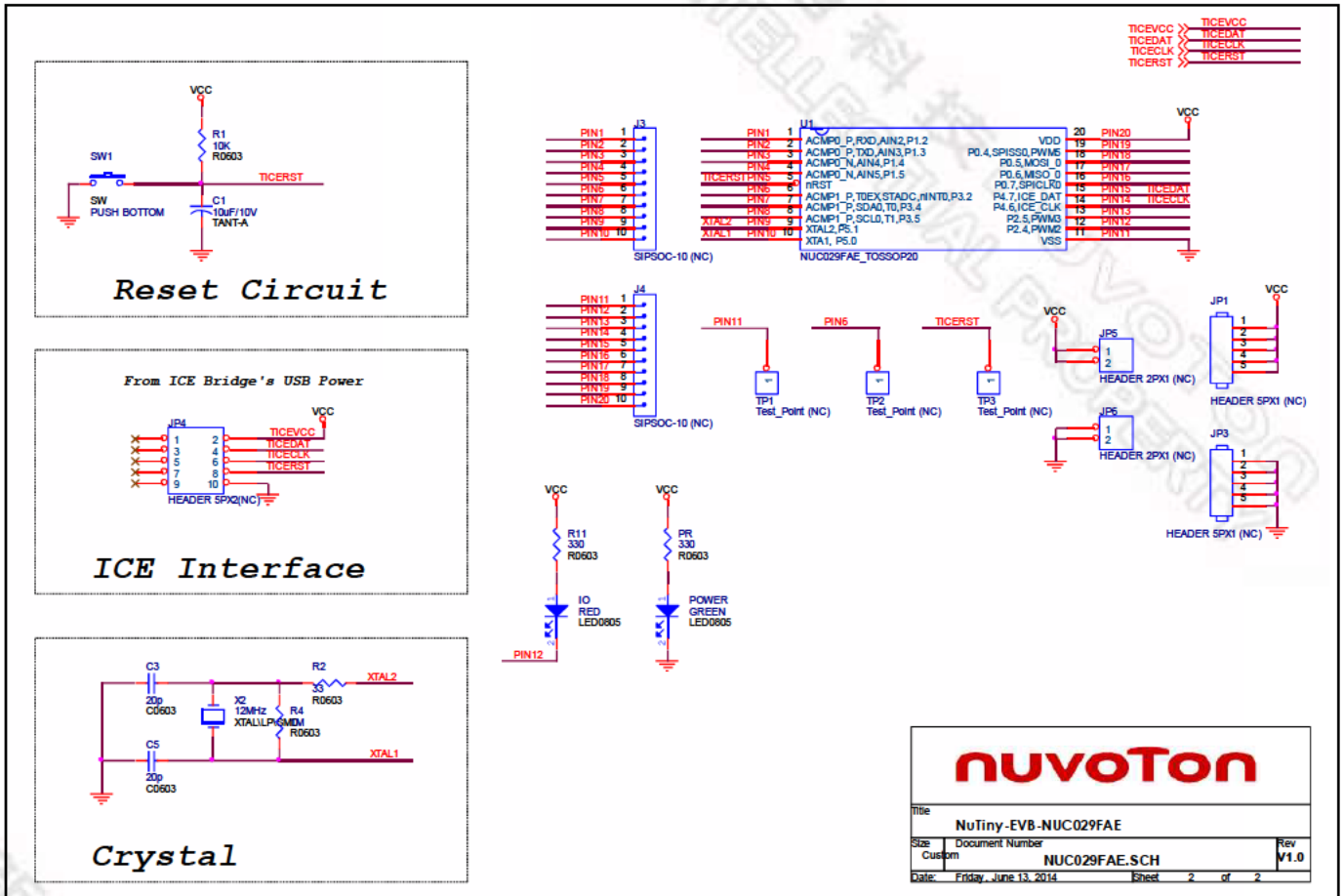
The I/O LED on the NuTiny-EVB-NUC029FAE board will be toggled on.

- **Start IAR Embedded Workbench**
- **File-Open-Workspace**
Open the led.eww workspace file
- **Project - Make**
Compile and link the LED application
- **Project – Download and Debug**
Program the application code into on-chip Flash ROM
 - ◆ Single step through code
 - ◆ Reset the device
 - ◆ Run the application



5 NuTiny-SDK-NUC029FAE Schematics

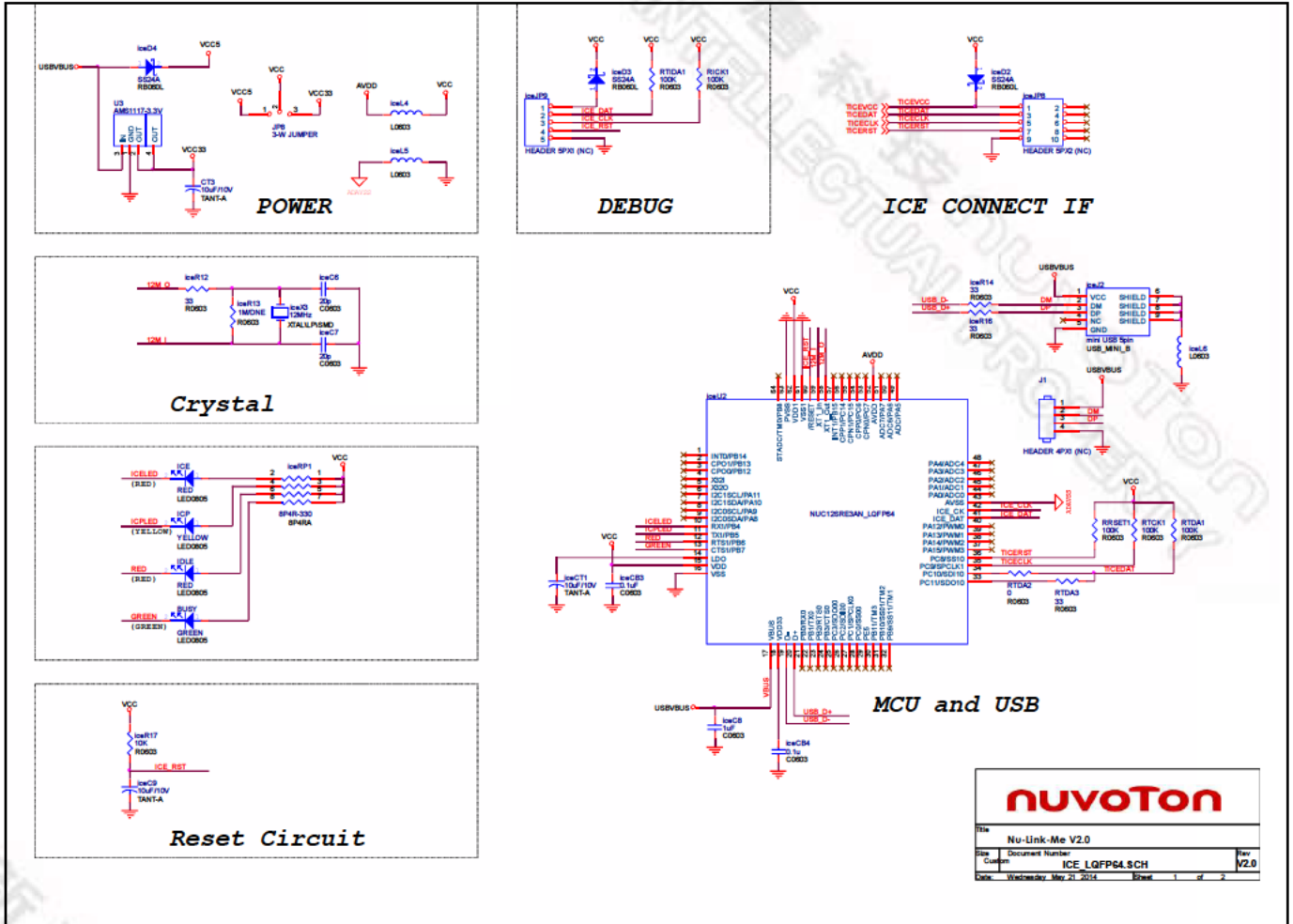
5.1 NuTiny-EVB-NUC029FAE Schematic



nuvoTon

Title		
NuTiny-EVB-NUC029FAE		
Size	Document Number	Rev
Custom	NUC029FAE.SCH	V1.0
Date	Friday, June 13, 2014	Sheet 2 of 2

5.2 Nu-Link-Me Schematic





6 Downloading NuMicro™ Related Files from Nuvoton Website

6.1 Downloading NuMicro™ Keil µVision® IDE Driver

<p>Step1</p>	<p>Visit the Nuvoton NuMicro™ website: http://www.nuvoton.com/NuMicro.</p>
<p>Step2</p>	<p>The screenshot shows the Nuvoton website interface. A red dashed box highlights the 'Support' menu item in the top navigation bar. A yellow oval with an arrow points to 'Support' with the text '2-1. Move to "Support"'. Another yellow oval with an arrow points to the 'Tool & Software' sub-menu item with the text '2-2. Click here to enter Tool & Software'. The main content area displays a grid of microcontroller models categorized by application (Industrial Control, Low Power, USB Application, Automotive Application, Audio Application) and memory size (16K, 32K, 64K, 128K, 256K). The 'Tool & Software' sub-menu is open, showing options like Learning, Product Related Information, and Tool & Software. The 'Tool & Software' option is highlighted with a red dashed box.</p>

Register | Login | Language

Search Parametric Search

News | Events | CSR | Human Resources | Investors | Contact Us | NuvoTon Partner

Products Applications Support Foundry Service Buy myNuvoTon About NuvoTon

Home > Support > Tool & Software > Development Tool Hardware

Development Tool Hardware

- Learning
- Product Related Information
- Tool & Software
 - Development Tool Hardware
 - Development Kit
 - Learning Board
 - Programmer
 - Software**
 - Third Party Tool
- Reference Design
- FAQ
- Sales Support
- Technical Support
- Forum

Click here to enter Software download page

Development Tool Hardware

On-Line In Circuit Programming

Off-Line In Circuit Programming

IC Programming

In System Programming

Through - UART - I2C - SPI - CAN - I/O

NuMicro M4 MCU NUC472 with Ethernet MAC

Events

NuvoTon Technology Hosts 32-bit Cortex™-M4 Ether... 2014-05-02

2014Q1 Investor Conference 2014-04-24

News

NuvoTon Announces Monthly Revenue for May 2014 2014-06-06

Step4

Programmer Software Tools Package

File name	Description	Version	Date
ICP Programming Tool V1.25.6287.zip Revision History	NuMicro ICP tool & user manual	V1.25.6287	2014-01-16
ISP Programming Tool V1.44.zip Revision History	NuMicro ISP Programming Tool & user manual	V1.44	2014-01-20
NuGang Programmer V6.21.zip Revision History	NuMicro NuGang Programmer V6.21 software & user manual	V6.21	2014-01-24

Nu-Link Driver

File name	Description	Version	Date
Nu-Link Driver for Keil RVMDK V1.25.6287.zip Revision History	This driver is to support Nu-Link to work under Keil RVMDK Development Environment for all NuMicro Family Devices.	V1.25.6287	2014-01-16
Nu-Link Driver for IAR EWARM V1.25.6287.zip Revision History	This driver is to support Nu-Link to work under IAR EWARM Development Environment for all NuMicro Family Devices.	V1.25.6287	2014-01-16

User Feedback [↑ TOP](#)

Step5 Download the NuMicro™ Keil μVision® IDE driver.

Click here to download the file.

新唐科技 NUVOTON
INTELLECTUAL PROPERTY



6.2 Downloading NuMicro™ IAR EWARM Driver

Step1 Visit the Nuvoton NuMicro™ website: <http://www.nuvoton.com/NuMicro>.

Step2

The screenshot shows the Nuvoton NuMicro website interface. At the top, there is a navigation bar with 'Support' highlighted. A yellow callout bubble labeled '2-1. Move to "Support"' points to the 'Support' link. Below the navigation bar, a dropdown menu is open, showing 'Tool & Software' as the selected option. A second yellow callout bubble labeled '2-2. Click here to enter Tool & Software' points to this menu item. The main content area displays a grid of product categories including NUC100, Nano120, NUC120, NUC230, AU9110, Nano110, NUC140, Nano100, NUC130, M051, NUC122, NUC123, Nano102, Nano112, and Mini51. The grid is organized by core count (256K, 128K, 64K, 32K, 16K) and application type (Industrial Control, Low Power, USB Application, Automotive Application, Audio Application). A 'Developing' label is present at the bottom right of the grid. The right sidebar contains sections for 'Online Support', 'Featured Products', 'Featured Videos', and 'Featured Applications'.

Register | Login | Language

Search Parametric Search

News | Events | CSR | Human Resources | Investors | Contact Us | NuvoTon Partner

Products Applications Support Foundry Service Buy myNuvoTon About NuvoTon

Home > Support > Tool & Software > Development Tool Hardware

Development Tool Hardware

- Learning
- Product Related Information
- Tool & Software
 - Development Tool Hardware
 - Development Kit
 - Learning Board
 - Programmer
 - Software**
 - Third Party Tool
- Reference Design
- FAQ
- Sales Support
- Technical Support
- Forum

Click here to enter Software download page

Development

- Evaluation Board
- Customer Target Board
- NuTiny Board

Mass Production

- On-Line In Circuit Programming
 - Customer Target Board
- Off-Line In Circuit Programming
 - Customer Target Board
- IC Programming
 - NuvoTon Gang Programmer
 - Third Party Writer

Upgrade

- In System Programming
 - Through
 - UART
 - USB
 - I2C
 - SPI
 - CAN
 - I/O

Step3



Events

NuvoTon Technology Hosts 32-bit Cortex™-M4 Ether... 2014-05-02

2014Q1 Investor Conference 2014-04-24

More...

News

NuvoTon Announces Monthly Revenue for May 2014 2014-06-06

新唐科技 NUVOTON
INTELLECTUAL PROPERTY

Step4

Programmer Software Tools Package

File name	Description	Version	Date
ICP Programming Tool V1.25.6287.zip Revision History	NuMicro ICP tool & user manual	V1.25.6287	2014-01-16
ISP Programming Tool V1.44.zip Revision History	NuMicro ISP Programming Tool & user manual	V1.44	2014-01-20
NuGang Programmer V6.21.zip Revision History	NuGang Programmer software & user manual	V6.21	2014-01-24

Nu-Link Driver

File name	Description	Version	Date
Nu-Link Driver for Keil RVMDK V1.25.6287.zip Revision History	This driver is to support Nu-Link to work under Keil RVMDK Development Environment for all NuMicro Family Devices.	V1.25.6287	2014-01-16
Nu-Link Driver for IAR EWARM V1.25.6287.zip Revision History	This driver is to support Nu-Link to work under IAR EWARM Development Environment for all NuMicro Family Devices.	V1.25.6287	2014-01-16

User Feedback ↑ TOP

Step5 Download the NuMicro™ IAR EWARM driver.

Click here to download the file.

新唐科技 NUVOTON
INTELLECTUAL PROPERTY



6.3 Downloading NuMicro™ NUC029FAE Series BSP Software Library

Step1 Visit the Nuvoton NuMicro™ website: <http://www.nuvoton.com/NuMicro>.

Step2

The screenshot shows the Nuvoton NuMicro website interface. The top navigation bar includes links for Products, Applications, Support, Foundry Service, Buy, myNuvoton, and About Nuvoton. A dropdown menu is open under the 'Support' link, showing options like Learning, Product Related Information, Tool & Software, Reference Design, FAQ, Sales Support, Technical Support, and Forum. The 'Tool & Software' option is highlighted with a red dashed box and a yellow oval. The main content area displays a grid of product categories such as NUC100, Nano120, NUC120, NUC230, Nano110, NUC140, Nano100, NUC130, M051, NUC122, NUC123, Nano102, Nano112, and Mini51, categorized by application areas like Industrial Control, Low Power, USB Application, Automotive Application, and Audio Application. The website also features sections for Online Support, Featured Products, Featured Videos, and Featured Applications.

<p>Step3</p>	<p>Register Login Language</p> <p>Search Parametric Search</p> <p>News Events CSR Human Resources Investors Contact Us NuvoTon Partner</p> <p>Products Applications Support Foundry Service Buy myNuvoTon About NuvoTon</p> <p>Home > Support > Tool & Software > Development Tool Hardware</p> <p>Development Tool Hardware</p> <p>Learning Product Related Information Tool & Software Development Tool Hardware Development Kit Learning Board Programmer Software Third Party Tool Reference Design FAQ Sales Support Technical Support Forum</p> <p>Click here to enter Software download page</p> <p>On-Line In Circuit Programming Customer Target Board Off-Line In Circuit Programming Customer Target Board IC Programming NuvoTon Gang Programmer Third Party Writer</p> <p>In System Programming Through - UART - USB - I2C - SPI - CAN - I/O</p> <p>NuMicro M4 MCU NUC472 with Ethernet MAC</p> <p>Events</p> <p>NuvoTon Technology Hosts 32-bit Cortex™-M4 Ether... 2014-05-02 2014Q1 Investor Conference 2014-04-24 More...</p> <p>News</p> <p>NuvoTon Announces Monthly Revenue for May 2014 2014-06-06</p>
<p>Step4</p>	<p>Download the NuMicro™ NUC029FAE Series CMSIS BSP.</p>



7 Revision History

Revision	Date	Description
1.00	Jun. 19, 2014	First version.
1.01	Dec. 24, 2014	Fix the typo on 6.3 Downloading NuMicro™ NUC029FAE Series BSP Software Library Step4.

Important Notice

Nuvoton Products are neither intended nor warranted for usage in systems or equipment, any malfunction or failure of which may cause loss of human life, bodily injury or severe property damage. Such applications are deemed, **“Insecure Usage”**.

Insecure usage includes, but is not limited to: equipment for surgical implementation, atomic energy control instruments, airplane or spaceship instruments, the control or operation of dynamic, brake or safety systems designed for vehicular use, traffic signal instruments, all types of safety devices, and other applications intended to support or sustain life.

All Insecure Usage shall be made at customer’s risk, and in the event that third parties lay claims to Nuvoton as a result of customer’s Insecure Usage, customer shall indemnify the damages and liabilities thus incurred by Nuvoton.

Please note that all data and specifications are subject to change without notice.
All the trademarks of products and companies mentioned in this datasheet belong to their respective owners.